



# INSTRUCTION BULLETIN

No. 340877  
Machine: M30  
Published: 10-2009  
Rev. 01

**NOTE: DO NOT DISCARD the Parts List from the Instruction Bulletin. Place the Parts List in the appropriate place in the machine manual for future reference. Retaining the Parts List will make it easier to reorder individual parts and will save the cost of ordering an entire kit.**

*NOTE: Numbers in parenthesis ( ) are reference numbers for parts listed in Bill of Materials.*

Installation instructions for **kit number 9004029**

## SYNOPSIS:

This kit contains the parts needed to install a rear squeegee protector kit on M30 machines. Please follow step-by-step instructions.

## SPECIAL TOOLS / CONSIDERATIONS: NONE

(Estimated time to complete: 45 minutes)

1. Park the machine on a clean level surface, turn off the machine, remove the key, and set the parking brake.

2. Use a hex screw (5) and a flat washer (3) to install a bumper (4) onto each squeegee guard bracket (1). Refer to Fig. 2.

**FOR SAFETY: Before leaving or servicing machine, stop on level surface, set parking brake, turn off machine, and remove key.**

## INSTALLATION:

1. Use two hex screws (14) and two flat washers (3) to mount each squeegee guard (13) onto the machine. Refer to Fig. 1 and Fig. 7.

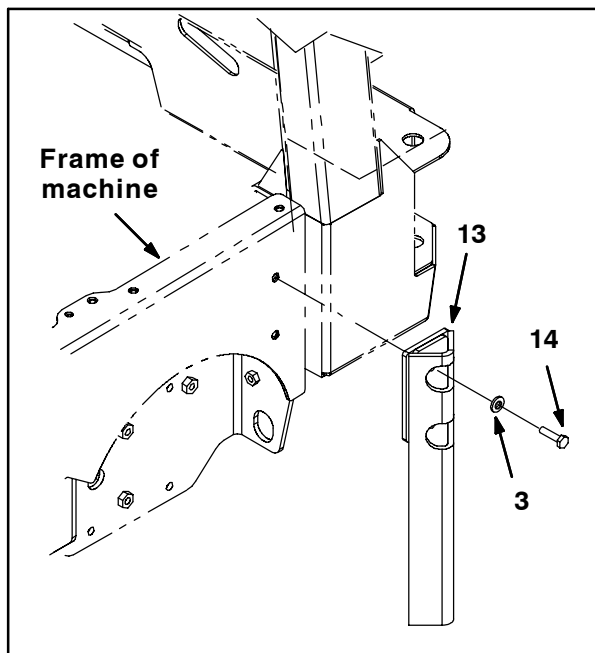


FIG. 1

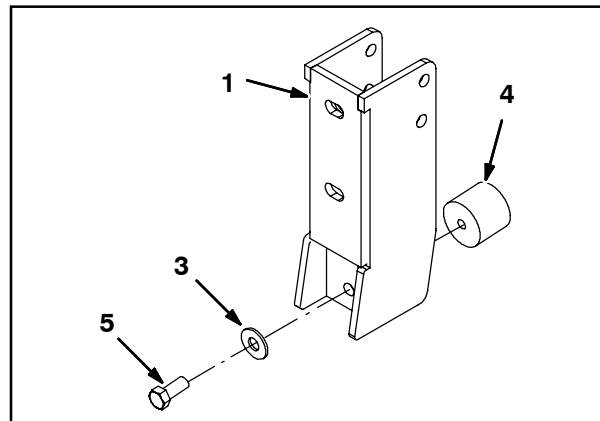
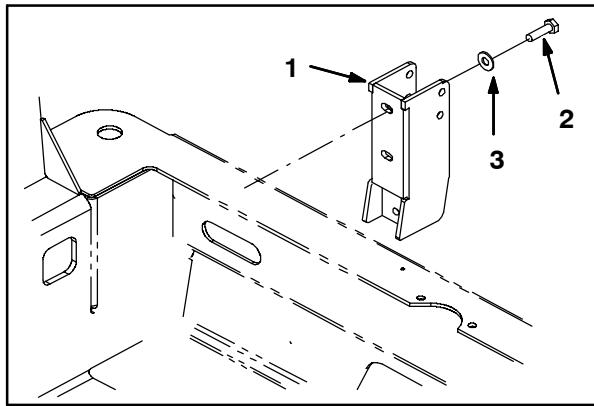


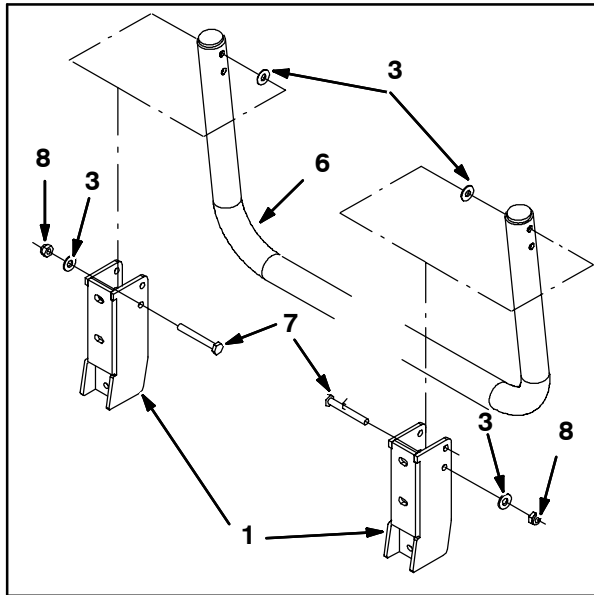
FIG. 2

- Use two hex screws (2) and two flat washers (3) to mount each squeegee guard bracket (1) onto the machine. Refer to Fig. 3 and Fig. 7.



**FIG. 3**

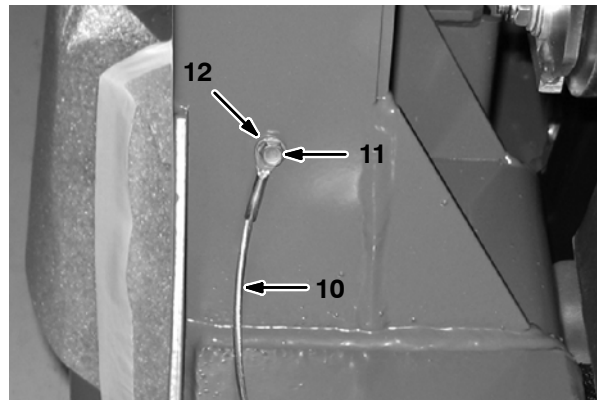
- Use two hex screws (7), four flat washers (3), and two hex nuts (8) to mount the rear squeegee guard (6) onto the squeegee guard brackets (1). Refer to Fig. 4 and Fig. 7.



**FIG. 4**

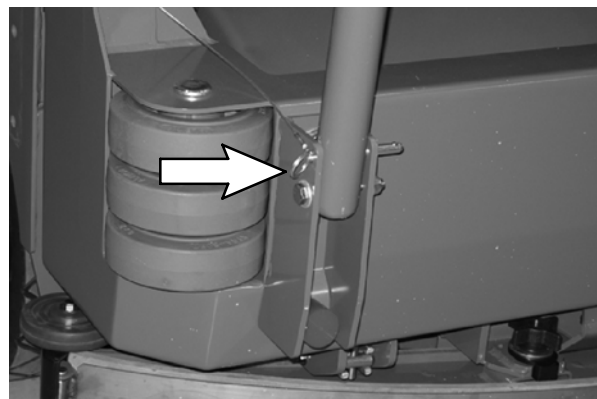
- Install the 12" cable (10) onto the hitch pin (9). Refer to Fig. 7

- Use a forming hex screw (11) and a flat washer (12) to install the 12" cable (10) onto the hopper lift arm. Refer to Fig. 5 and Fig. 7.



**FIG. 5**

- To engage the rear squeegee guard, pull the pin (9) from the squeegee guard bracket (1), lower the rear squeegee guard, and reinsert the pin into the squeegee guard bracket. Refer to Fig. 6.



**FIG. 6**

- To disengage the rear squeegee guard, pull the pin from the squeegee guard bracket (1), lift the rear squeegee guard (6), and reinsert the pin into the squeegee guard bracket. Refer to Fig. 6.

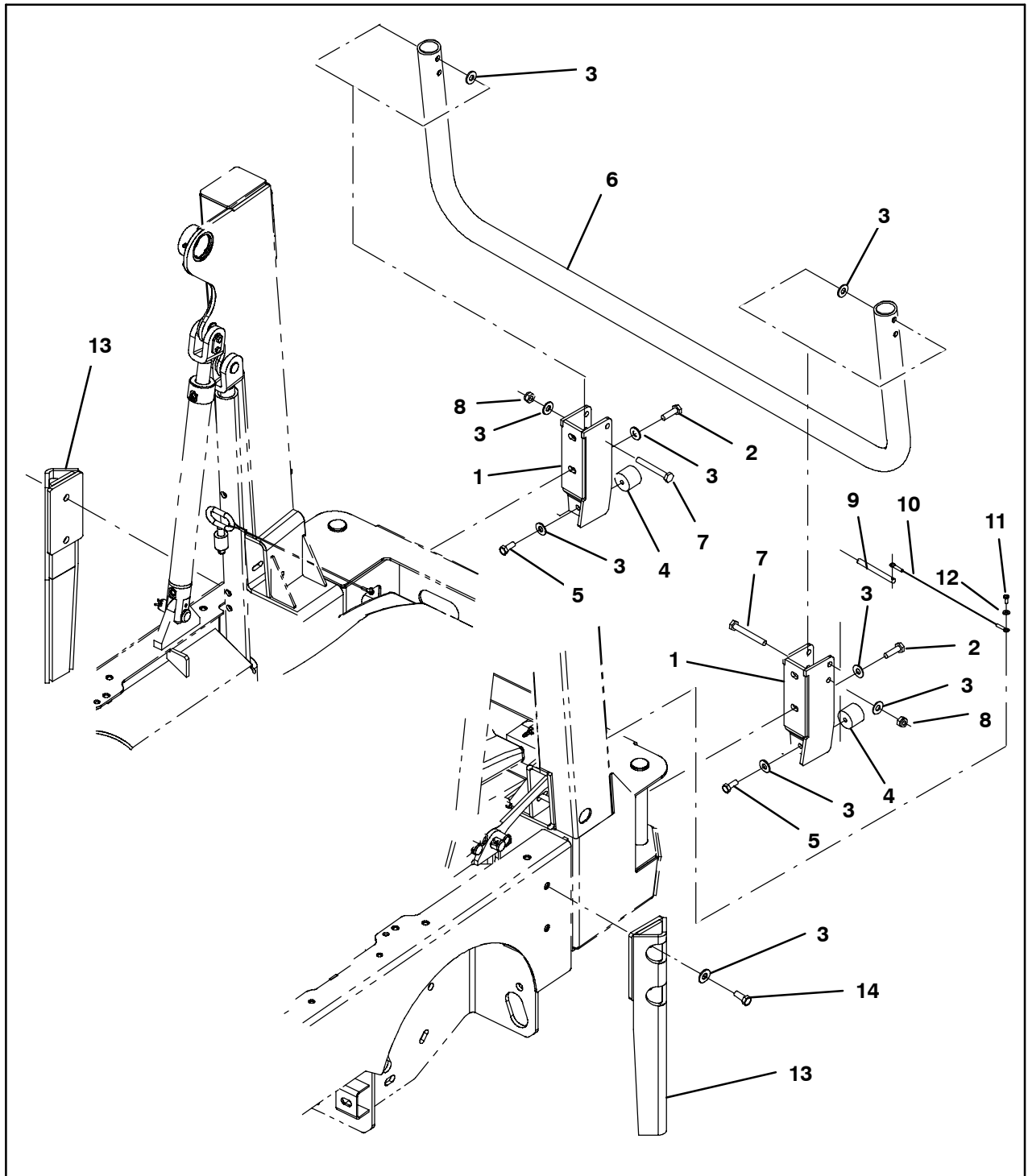


FIG. 7

**Bill of Materials for Guard Kit, Sqge, CI [M30] - 9004029**

	<b>Ref.</b>	<b>Tennant Part No.</b>	<b>Description</b>	<b>Qty.</b>
▽		340818	Guard Kit, Sqge, CI [M20]	1
▲	1	1027560	Bracket Wldt, Guard, Sqge	2
▲	2	39284	Screw, Hex, M10 X 1.5 X 35, 8.8	4
▲	3	32492	Washer, Flat, 0.38, Std	14
▲	4	1024977	Bumper, Ure, 1.50D 1.25L	2
▲	5	21196	Screw, Hex, .38-16 X 0.88, G5	2
▲	6	1056191	Guard Wldt, Sqge, Pntd [M30]	1
▲	7	06965	Screw, Hex, M10 X 1.5 X 80, 8.8	2
▲	8	41430	Nut, Hex, Lock, M10 X 1.5, NL	2
▲	9	369359	Pin, Hitch, .375D X 3.12L, PL	1
▲	10	57702	Cable, Glv, .06D 012.0L .26Eye/.26Eye	1
▲	11	223198	Screw, Hex, M5 X 0.8 X 10, Fmg	1
▲	12	01683	Washer, Flat, #10, SS	1
▲	13	1045444	Guard Wldt, Sqge [M20 / T20 / M30]	2
▲	14	368176	Screw, Hex, M10 X 1.5 X 35, 10.9	4

TENNANT COMPANY  
P. O. Box 1452  
Minneapolis, MN 55440-1452